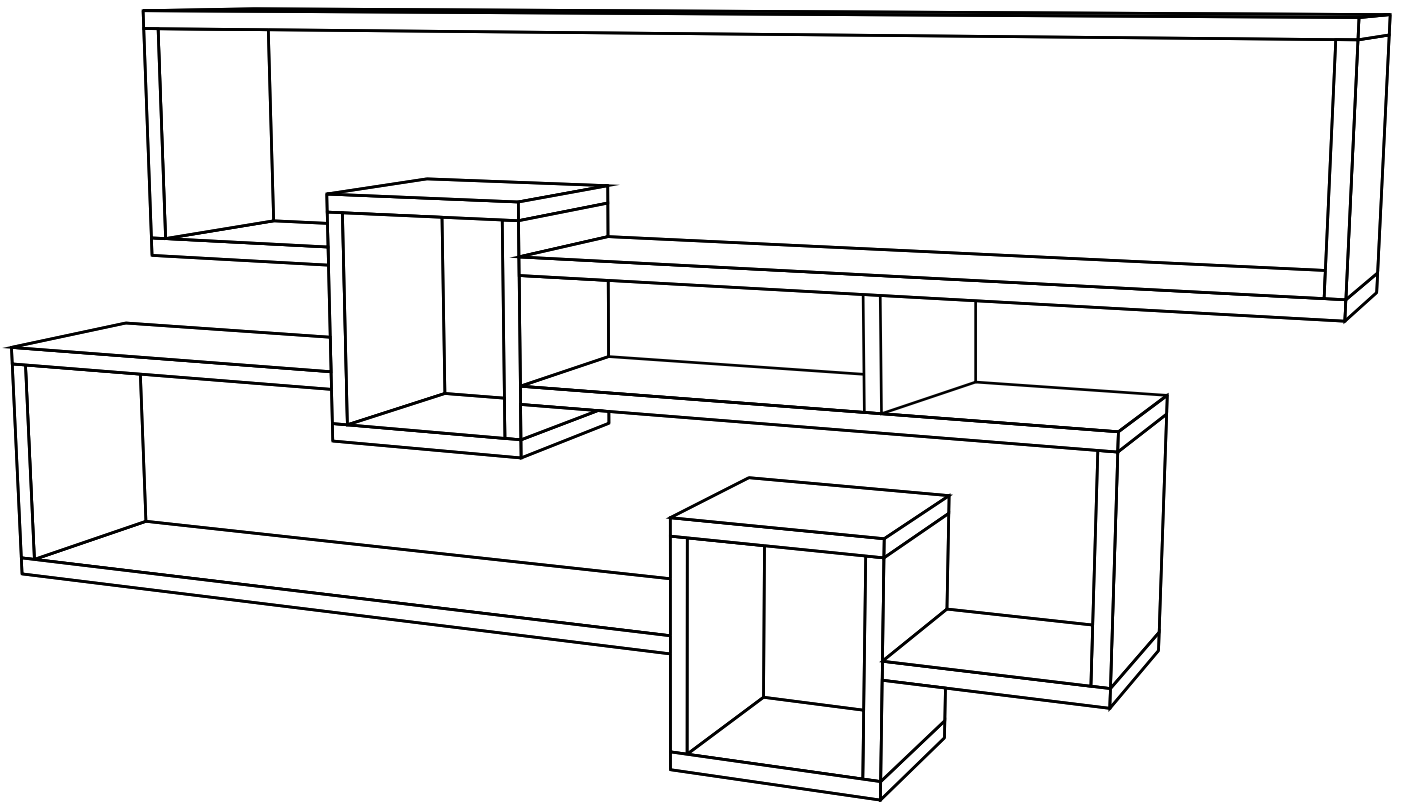


# KAREN WALL SHELF ASSEMBLY INSTRUCTION

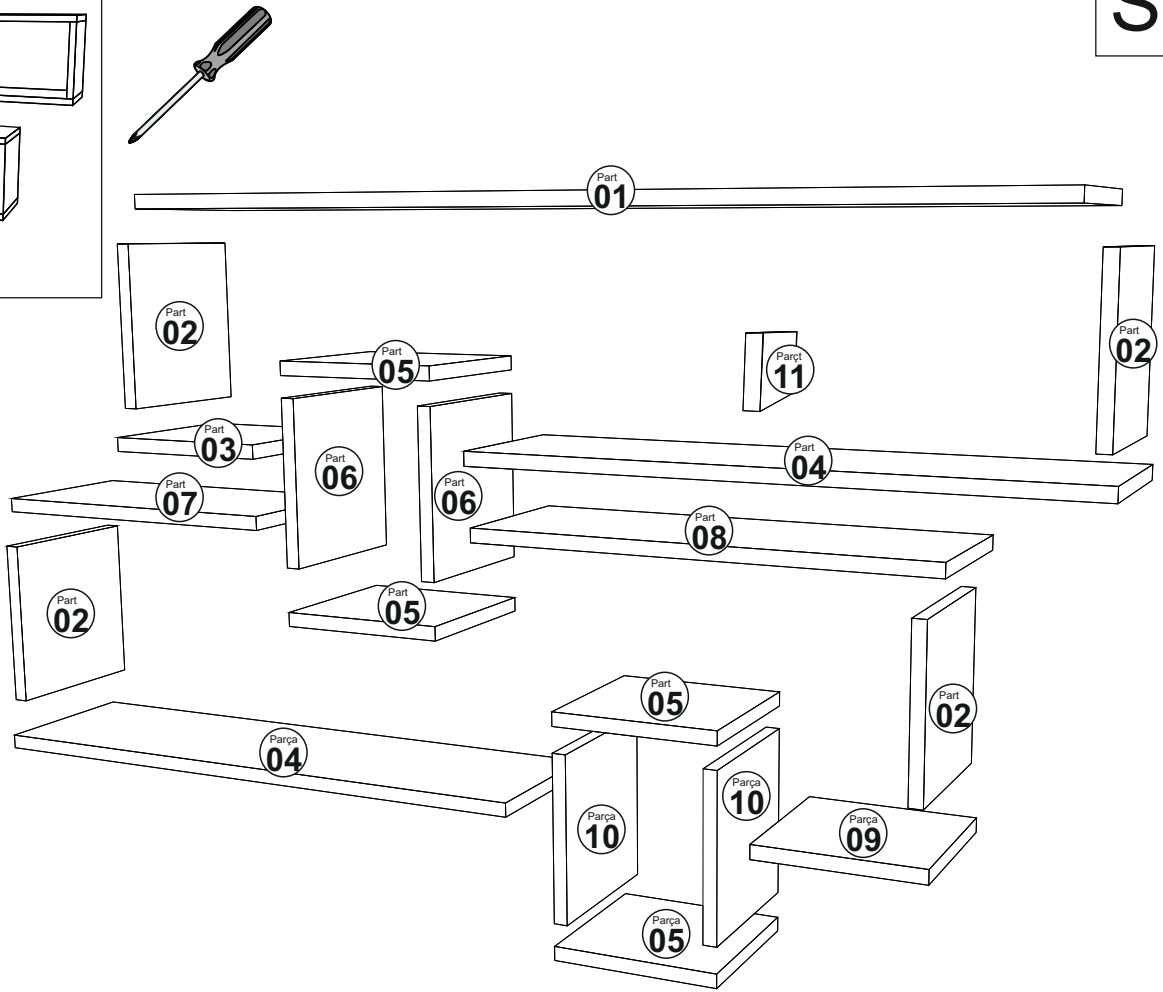
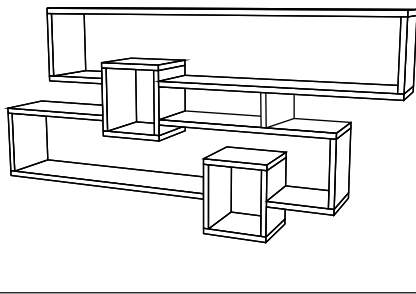


# Assembly Instruction

# KAREN WALL SHELF





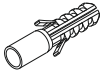
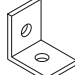
S 1

The necessary tools (Not Included)



## Accessory List

## ASSEMBLY PARTS

4*50 Screw  A09 48x	Screw Tap  A05 16x 28x	3,5*18 Screw  A10 4x	4*70 Screw  A06 4x
Plastic Dovel  A08 4x	Hanger  A07 4x	Nail 25x	

NO	EN	BOY	KAL.	ADET
1	200	1200	18	1
2	200	214	18	4
3	200	214	18	1
4	214	773	18	2
5	200	214	18	4
6	200	214	18	2
7	200	400	18	1
8	200	586	18	1
9	200	214	18	1
10	200	214	18	2
11	80	214	18	1

Dear Customer,

The product you bought was subjected to all sorts of test and control before sending out to you. Even in this situation, sometimes happen that some component is damaged durin the transportation. In such please do not sent the whole article back us. Just request/orderthe damaged part. While requesting the required part, describe it exactly by looking to service card. Missing part will be sent you as soon as possible. Before start assembling, please check the whole components and accessories according to the lists. After being sure that every part and accessory are okay and right, start assembling. Before start assembling, please clean all the components with a damp cloth. If you bought more than one product, to prevent confusion be sure that you completed the rst product. Then start the other product's assembling.

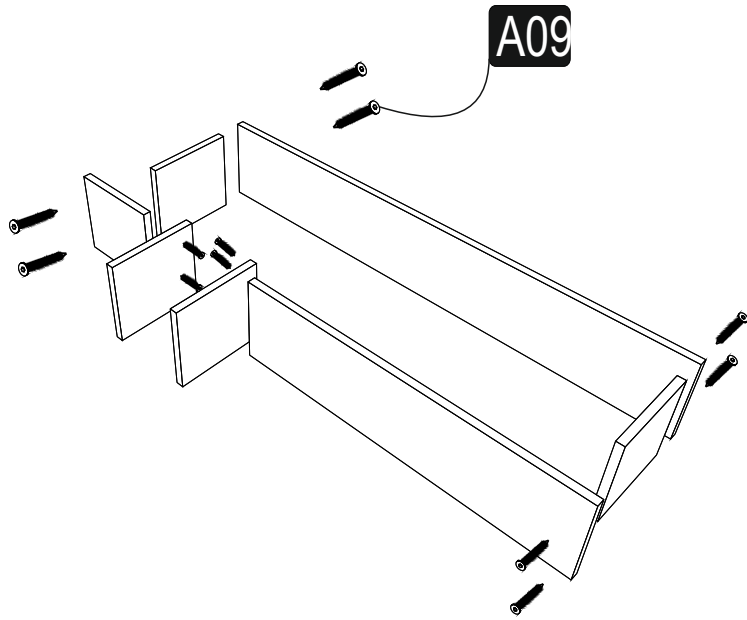
Never drag the products. While carrying, disassociate and lift the product and carry with minimum 2 people. For long distances carry the product with the package.

# Assembly Intruction

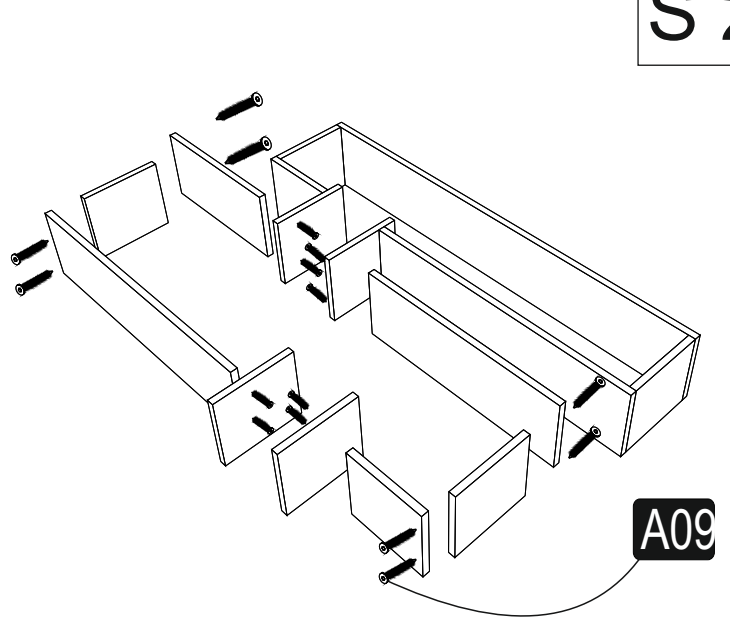
# KAREN WALL SHELF

S 2

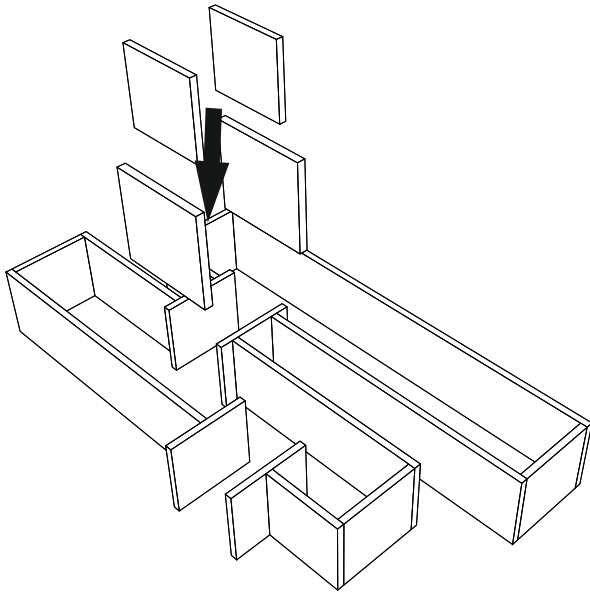
1. Step



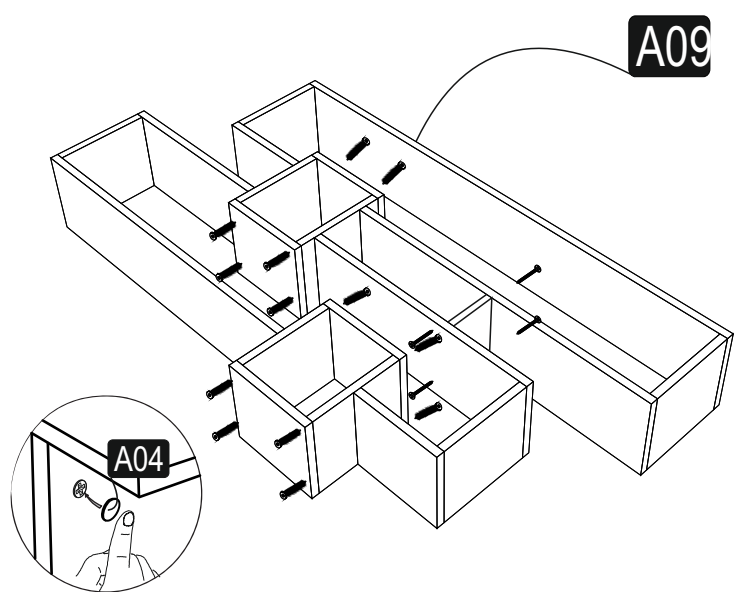
2. Step



3. Step



4. Step



5. Step

